

# SPECIFICATION

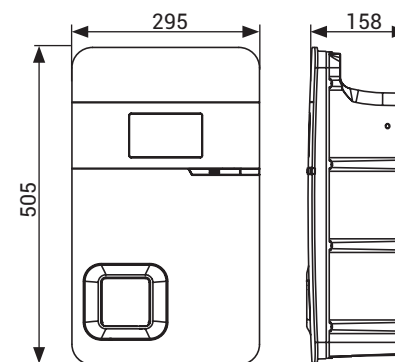
Model Name

AX Series



|                          |                           |         | AXLU111   | AXSC111         | AX32<br>(plug / Socket)                         | AXLU191                                 | AXSC191         |
|--------------------------|---------------------------|---------|---|-----------------|---|---|-----------------|
|                          |                           | unit    | UL/ CUL   | CNS             | CE  | UL / CUL                                | CNS             |
| AC Input                 | Input Voltage             | V       | 1Φ200-240 Vac, (50/60 Hz)   |                 | 3Φ380-415 Vac,<br>(50/60 Hz)                    | 1Φ200-240 Vac, (50/60 Hz)               |                 |
|                          | Input current             | A       | 48  |                 | 32  | 80                                      |                 |
|                          | Connection & Earthing     | -       | L1/L2/GND   | L/N/PE          | L1/L2/L3/N/PE                                   | L1/L2/GND                               | L/N/PE          |
| AC Output                | Chip Measurement Accuracy | %       | <1 %  |                 | <1 %   MID                                      | <1 %                                    |                 |
|                          | Power Rating              | kW      | 11  |                 | 22  | 19                                      |                 |
| Mechanical               | IP Rating                 | -       | NEMA 4  | IP55            | Plug version IP56 /<br>Socket Version IP55      | NEMA 4                                  | IP55            |
|                          | Enclosure Rating          | -       | IK08  |                 |   |   |                 |
|                          | Dimension(WxHxD)          | mm/inch | 295 x 158x 505 (mm)   12 x 7 x 20 (inch)  |                 |   |   |                 |
|                          | Weight                    | kg/lbs  | 7.3 kg(5M)/<br>8.5 kg(7.5M)   | 7.3 kg          | 13 kg(Plug Version)/<br>10.5 kg(Socket Version) | 8.8 kg(5M)/<br>10.5 kg(7.5M)            | 8.8 kg          |
|                          | Charging Cable Length     | m/ ft   | 5 m / 7.5m   17/25 ft   | 5m              | 5m  | 5 m / 7.5m   17/25 ft                   | 5m              |
| Environmental            | Operating Temperature     | °C   °F | -30°C to +50°C  |                 |   |   |                 |
|                          | Operating Humidity        | %       | 95%   |                 |   |   |                 |
|                          | Altitude                  | m       | 2000M   |                 |   |   |                 |
| Compliance               | EMC/EMI                   | -       | FCC Part 15 Subpart B<br>ICES-003   | CNS 15511 -21-2 | IEC.61851-21-2                                  | FCC Part 15 Subpart B<br>ICES-003       | CNS 15511-21-2  |
|                          | Safety                    | -       | UL 2594, UL 2231<br>Energy Star<br>CTEP   | CNS 15511-1     | IEC.61851-                                      | UL 2594, UL 2231<br>Energy Star<br>CTEP | CNS 15511-1     |
| Protection               | RCD/CCID                  | -       | CCID 20   | RCD Type B 30mA | RCD type B<br>+DC 6mA                           | CCID 20                                 | RCD type B 30mA |
|                          | Input Side                | -       | Under Voltage Protection,Over Temp. Protection,Ground Fault Circuit Interrupter,Surge Protection Device |                 |   |   |                 |
|                          | Output Side               | -       | Over current protection, Charging Circuit Interrupting Device,Control Pilot fault detection             |                 |   |   |                 |
|                          | Internal                  | -       | Over Voltage Protection   |                 |   |   |                 |
| User Interface & Control | Backend Support           | -       | OCPP 1.6 J, OCPP 2.0.1 J  |                 |   |   |                 |
|                          | Display                   | inch    | Optional  |                 |   |   |                 |
|                          | User Authentication       | -       | RFID ,QR code   |                 |   |   |                 |
|                          | Status Indicator          | -       | LED (power / connectivity / authorization / charging / error/Backend Status)                            |                 |   |   |                 |
| Communication            | External                  | -       | Ethernet+WiFi Standard/ 4G Optional   |                 |   |   |                 |

For information on the optional charging pedestal, please refer to the accessory section on page 93.



Unit: mm



Our EV charger is thoughtfully designed to be ADA-friendly, featuring an ergonomic usage height that bridges the gap between people and technology.

SPECIFICATION